

Determination of Interrogating Frequencies to Maximize Electromagnetic Backscatter from Objects with Material Coatings

H. T. Banks^{1,*}, K. Ito¹ and J. Toivanen¹

¹ *Center for Research in Scientific Computation, Box 8205, North Carolina State University, Raleigh, NC 27695-8205, USA.*

Received 5 November 2005; Accepted (in revised version) 20 December 2005

Abstract. The electromagnetic backscattering of a crosscut of a cruise missile coated by a thin homogeneous layer made of radar absorbent material is modeled using a finite element method. Based on the radar cross section and a reflection coefficient, optimization problems are formulated for evaders and interrogators leading to optimal material parameters for the coating and optimal monostatic radar operating frequencies, respectively. Optimal coating materials are constructed for several radar frequencies. Tuning only dielectric permittivity gives a narrow frequency range of high absorption while also tuning magnetic permeability widens it significantly. However the coating layers considered do not provide substantial reduction of backscattering in the entire frequency range from 0.2 to 1.6 GHz. Computational experiments also demonstrate that the reflection coefficient based on a simple planar geometry can predict well the strength of radar cross section in the sector of interest with a substantially reduced computational burden.

Key words: Radar cross section; radar absorbent material; optimization; finite element model.

1 Introduction

In this paper the determination of interrogating frequencies to maximize electromagnetic backscatter from objects with radar absorbent material (RAM) coatings is considered. Of particular interest are radar cross sections (RCS) of missile like objects using monostatic radars. This is an important class of problems, since the backscattering from missiles is rather faint compared to ones from airplanes. Thus, a RAM coating on a missile might make it very difficult to detect and the proper choice of interrogation frequency can be

*Correspondence to: H. T. Banks, Center for Research in Scientific Computation, Box 8205, North Carolina State University, Raleigh, NC 27695-8205, USA. Email: htbanks@ncsu.edu

crucial for effective interrogation. A general mathematical formulation for optimizing the frequencies for detection is presented. It is derived under the assumption that the evader also minimizes the backscattering by choosing optimal permittivity and permeability for the coating material. The formulation can be simplified substantially when the material parameters for the coating are known.

Previous scientific literature has considered shape and material optimization for evaders. For example, the papers [10,13,23,24] consider multidisciplinary shape optimization problems for an airfoil where the aim is to minimize the electromagnetic backscattering together with aerodynamical constraints and maximization. In [12,18] an optimization for the shape and material parameters for the coating layer is performed to minimize the RCS in a sector when the shape of outer boundary of the airfoil is fixed. The paper [8] considers the optimization of the material parameters of a coating layer.

In this paper we choose our model geometry as a crosscut of a cruise missile [14] which is coated with a thin homogeneous layer of radar absorbent material. We construct a finite element model for the transverse magnetic polarization in the frequency range from 0.2 GHz to 1.6 GHz. Linear finite elements on triangulation which is locally fitted to the interfaces are used and refined in the coating layer in order to provide sufficient accuracy. Furthermore, the computational domain is truncated to be a rectangular domain and a second-order absorbing boundary condition [1,19] is imposed on the artificial boundary. A more detailed description of the finite element method and the solution of the resulting large linear systems is given in [20]. One of our interests is to compare the use of the reflection coefficients based on a plane wave analysis (resulting in a substantially reduced computational methodology) to predict the strength of the backscattering in the considered frequency ranges.

The outline of the paper is as follows. We begin by defining the geometry of the model cruise missile in Section 2. This section contains also the description of the finite element model and the formula for the reflection coefficient. In Section 3, we consider optimization problems for evaders and interrogators. These are discussed in the context of two player zero sum minmax games in Section 4. We report the results of numerical experiments in Section 5. Our conclusions and some suggestions for further investigations are given in the last section.

2 Model problem

We study the electromagnetic scattering by a perfectly conducting cruise missile coated by a radar absorbent material (RAM) layer of constant thickness. In this investigation we compute the scattering of a crosscut of a missile in two-dimensions. The interrogating electromagnetic incident wave is assumed to be a transverse magnetic and the geometry is simplified by neglecting fins. We remark that this simplification generally reduces the backscattering and, thus, if one can detect a missile without fins then one can certainly detect the same missile with fins. The exhaust nozzle is modeled as a cavity with perfectly

conducting walls. The dimensions and approximate geometry of the missile are taken from [14]. The length of the missile is 6.25 meters and its diameter is 0.52 meters. The leading edge is modeled as a half sphere. The exhaust cavity is 0.5 meters long and its diameter is 0.255 meters. The geometry is depicted in Fig. 1.

The missile is illuminated by a monostatic radar operating in the frequency range from 0.2 GHz to 1.6 GHz. This means that the wavelength varies in the range from 0.1875 meters to 1.5 meters. Furthermore, the missile is from 4.16 to 33.33 wavelengths long. The interrogating plane wave is such that the angle between the propagation direction of the wave and the centerline of the missile is from 0° to 30° .

The thickness of a homogeneous RAM layer is chosen to be 2.5 millimeters. This thickness is denoted by d in the following. The relative material permittivity ϵ_r and permeability μ_r are constants in the coating.

2.1 Finite element model

Let the crosscut plane be the x_1x_2 -plane. Due to the transverse magnetic polarization of the electromagnetic field the electric field has the form $(0, 0, E)^T$ where the function E is constant in the x_3 -direction. In this case Maxwell's equation for a time-harmonic electric field E reduces to a Helmholtz equation. Let us denote the missile by Ω and its coating layer by Ω_1 . For a finite element model the exterior domain is truncated to be the rectangle $\Pi = [-1.0, 6.75] \times [-1.0, 1.0]$ where the leading edge of the missile is at $(-0.25, 0.0)$. Here the units are meters. We approximate the Silver-Müller radiation condition by a second-order absorbing boundary condition [1] on $\partial\Pi$; see also [19, 21]. We split the field E into an incident field $E^{(i)}$ and a scattered field $E^{(s)}$. Thus, we have $E = E^{(i)} + E^{(s)}$. Then the scattered field $E^{(s)}$ satisfies the Helmholtz equation

$$\begin{aligned} \nabla \cdot \left(\frac{1}{\mu} \nabla E^{(s)} \right) + \epsilon \omega^2 E^{(s)} &= -\nabla \cdot \left(\frac{1}{\mu} \nabla E^{(i)} \right) - \epsilon \omega^2 E^{(i)} && \text{in } \Pi \setminus \bar{\Omega} \\ E^{(s)} &= -E^{(i)} && \text{on } \partial\Omega \\ \left[\frac{1}{\mu} \frac{\partial E}{\partial n} \right] &= [E] = 0 && \text{on } \partial\Omega_1 \setminus \partial\Omega \\ \frac{\partial E^{(s)}}{\partial n} - ikE^{(s)} - \frac{i}{2k} \frac{\partial^2 E^{(s)}}{\partial s^2} &= 0 && \text{on } \partial\Pi \\ \frac{\partial E^{(s)}}{\partial s} - ik\frac{3}{2}E^{(s)} &= 0 && \text{at } C, \end{aligned} \quad (2.1)$$

where n and s denote the normal and tangential directions of the boundary $\partial\Pi$, respectively, and C is the set of the corner points of Π . Furthermore, $[\cdot]$ denotes the jump. The incident field in air is given by

$$E^{(i)} = e^{ik(x_1 \cos \alpha + x_2 \sin \alpha)},$$



Figure 1: The crosscut of the cruise missile and the computational domain.

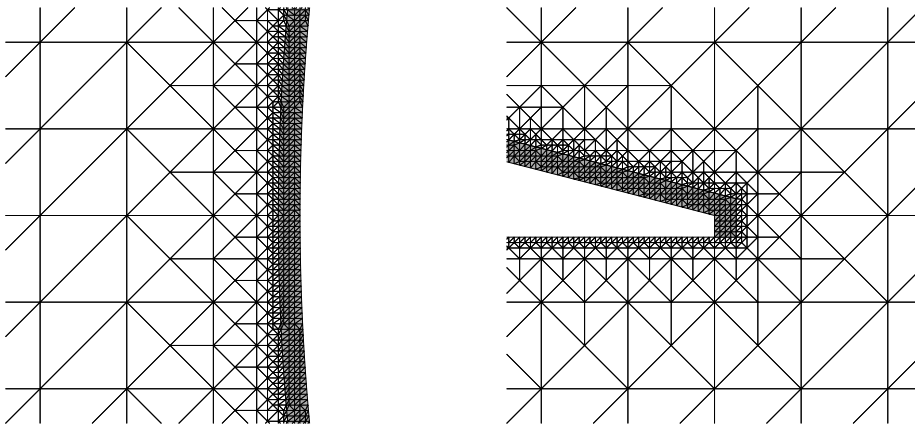


Figure 2: Magnified views of the mesh in the rectangles $[-0.28, -0.24] \times [-0.02, 0.02]$ and $[5.98, 6.02] \times [0.11, 0.15]$. The coating layer is painted with gray.

where α is the incident angle and $k = 2\pi f/c = \omega/c$ is the interrogation wave number corresponding to the interrogating frequency f .

A standard variational formulation for (2.1) is given in [8]. We perform a finite element discretization using linear finite elements. The mesh step size in air is one centimeter and in the coating layer it is one 16th of a centimeter. The refinement of the mesh is carried out in a conforming manner. Magnified views of the mesh near the leading edge and the upper trailing edge are shown in Fig. 2. The mesh consists of 276761 nodes and 529212 triangles. A preconditioned iterative GMRES method [20] based a domain decomposition method is used to solve the resulting large systems of linear equations. Our approximation for the far field pattern F is described in [19].

2.2 Reflection coefficient model

The finite element model gives a satisfactory but computationally expensive way to study backscattering. A computationally more affordable model is obtained by computing the reflection coefficient for a coated half plane. For this let us consider a perfectly conducting half plane which has a coating layer of thickness d with the relative permittivity ϵ_r and the

relative permeability μ_r . Let a normally incident electromagnetic wave with the frequency f impinge the half plane. Then the corresponding wavelength λ in air is $\lambda = c/f$, where the speed of light is $c = 0.3 \times 10^9$. The reflection coefficient R for the wave (see [8, 22]) is given by

$$R = \frac{a + b}{1 + ab}, \tag{2.2}$$

where

$$a = \frac{\epsilon_r - \sqrt{\epsilon_r \mu_r}}{\epsilon_r + \sqrt{\epsilon_r \mu_r}} \quad \text{and} \quad b = e^{4i\pi \sqrt{\epsilon_r \mu_r} f d/c}. \tag{2.3}$$

3 Optimization problems for interrogators and evaders

3.1 The strength of backscatter

We denote the strength of electromagnetic backscattering at the interrogating frequency f with the coating material parameters ϵ_r and μ_r by $B(\epsilon_r, \mu_r, f)$ and describe several possible choices for B below. We denote a generic measure over frequencies for the strength of backscattering by $J(\epsilon_r, \mu_r, P, B)$ for a coated target with the material parameters ϵ_r and μ_r . One natural choice for J is

$$J_2(\epsilon_r, \mu_r, P, B) = \int_I (B(\epsilon_r, \mu_r, f))^2 dP(f), \tag{3.1}$$

where I is a set of frequencies and P is a probability measure on I . When P is the constant $(1/\text{meas } I)$ this reduces to

$$J_2(\epsilon_r, \mu_r, P, B) = \frac{1}{\text{meas } I} \int_I (B(\epsilon_r, \mu_r, f))^2 df. \tag{3.2}$$

Another measure J which gives the maximum strength of backscattering is

$$J_\infty(\epsilon_r, \mu_r, P, B) = \max_{f \in \text{supp } P} B(\epsilon_r, \mu_r, f), \tag{3.3}$$

where $\text{supp } P$ denotes the support of P .

The far field pattern of the scattered field (see [8, 15]) describes the strength of backscattering. We denote the far field pattern of the scattered field to the direction $\alpha + 180^\circ$ by $F_\alpha(\alpha + 180^\circ; f)$ when the incident angle is α . With a monostatic radar this is the far field pattern of interest. It can be defined (see [8]) as

$$F_\alpha(\alpha + 180^\circ; f) = \lim_{r \rightarrow \infty} \left(\sqrt{8\pi kr} e^{-i(kr + \pi/4)} E^{(s)}(r \cos(\alpha + 180^\circ), r \sin(\alpha + 180^\circ); f) \right), \tag{3.4}$$

where $k = 2\pi f/c$ is the interrogation wave number and $E^{(s)}$ is the scattered electromagnetic field. The usual way to illustrate the amplitude of the far field pattern is to plot the radar cross section defined by

$$\text{RCS}(\alpha; f) = 10 \log_{10} \left(\frac{1}{8\pi} |F_\alpha(\alpha + 180^\circ; f)|^2 \right).$$

Now one possible definition for the measure of the strength of backscattering at the frequency f is

$$B_F(\epsilon_r, \mu_r, f) = \int_A |F_\alpha(\alpha + 180^\circ; f)|^2 dQ(\alpha), \quad (3.5)$$

where A is a set of incidence angles and Q is a probability measure on A .

An alternative, computationally much cheaper measure of the strength of backscattering is

$$B_R(\epsilon_r, \mu_r, f) = |R(\epsilon_r, \mu_r, f)|, \quad (3.6)$$

where R is the reflection coefficient defined in (2.2).

In the discussions and computations reported on below, we will test the use of and compare findings for each of the measures B_F of (3.5) and B_R of (3.6). As we shall see, calculations with B_R are much faster than those with B_F and are just as accurate for predictions unless the discretization level in the finite element calculations for $E^{(s)}$ are rather fine.

3.2 Determining optimal frequencies for interrogation and an optimal coating material for evading

The goal of the interrogator is to find a probability measure P on I in (3.1) or (3.3) which maximizes the strength J of the electromagnetic backscattering. There are technological limits on the possible interrogation frequencies and, therefore, the probability measures P should belong to a set of feasible probability measures on I which we denote by \mathcal{P} . For example, often a discrete set of frequencies is used for radar interrogation. Thus, in this case P can be a combination of Dirac delta measures δ_{f_j} for given frequencies $\{f_j\}$. In any event, P is to be found as the solution of the optimization problem

$$\max_{P \in \mathcal{P}} J(\epsilon_r, \mu_r, P, B). \quad (3.7)$$

A difficulty with the optimization problem (3.7) is that the material parameters ϵ_r and μ_r are not usually known. We know that the pair (ϵ_r, μ_r) must belong to a set of feasible material parameters denoted by \mathcal{M} . In particular, all $(\epsilon_r, \mu_r) \in \mathcal{M}$ should satisfy $Re \epsilon_r \geq 1$, $Im \epsilon_r \geq 0$, $Re \mu_r \geq 1$, and $Im \mu_r \geq 0$. Furthermore, there are also upper limits on the real and imaginary parts of ϵ_r and μ_r which depend on available coating materials.

A smart evader tries to minimize the backscattering while the interrogator tries to maximize it. This leads to the problem

$$\min_{(\epsilon_r, \mu_r) \in \mathcal{M}} \max_{P \in \mathcal{P}} J(\epsilon_r, \mu_r, P, B). \quad (3.8)$$

From a computational point of view, the problem (3.8) is very expensive to solve if B_F based on the finite element model is used. It is computationally preferable to use B_R based on the reflection coefficient. Therefore, an important question is how well B_R predicts the behavior of B_F .

A more tractable problem for the evader is to assume that the interrogating radar uses some frequency interval which we denote by I_D . Actually there can be several frequency intervals, but for simplicity we consider here only one interval. Furthermore, it is natural in some cases for the evader to simply assume a uniform probability measure P over I_D . With (3.3) measuring the maximum backscattering, this leads to the minimization or design problem for the evader (given the set I_D)

$$\min_{(\epsilon_r, \mu_r) \in \mathcal{M}} \max_{f \in I_D} B(\epsilon_r, \mu_r, f). \tag{3.9}$$

We denote the solution of this problem by ϵ_r^* and μ_r^* .

On the other hand, if the interrogator assumes that the evader has previously performed the minimization (3.9), then he or she should perform the maximization in (3.7) at $(\epsilon_r, \mu_r) = (\epsilon_r^*, \mu_r^*)$.

4 Some theoretical considerations

The problems formulated in the previous section are special cases of classical *static zero-sum two player games* [11] where the evader controls the (ϵ_r, μ_r) in \mathcal{M} and the interrogator controls the interrogating frequencies $f \in I$ or $P \in \mathcal{P}(I)$. In such games one defines upper and lower *values* for the game by

$$\overline{J} = \inf_{(\epsilon_r, \mu_r) \in \mathcal{M}} \sup_{P \in \mathcal{P}} J(\epsilon_r, \mu_r, P, B)$$

and

$$\underline{J} = \sup_{P \in \mathcal{P}} \inf_{(\epsilon_r, \mu_r) \in \mathcal{M}} J(\epsilon_r, \mu_r, P, B).$$

The first represents a security level for the evader while the latter is a security level for the interrogator. It is readily argued that $\underline{J} \leq \overline{J}$ and if the equality $J^* = \underline{J} = \overline{J}$ holds, then J^* is called *the value* of the (static) zero-sum game. Moreover, if there exist $(\epsilon_r^*, \mu_r^*) \in \mathcal{M}$ and $\mathcal{P}^* \in \mathcal{P}$ such that

$$J^* = J(\epsilon_r^*, \mu_r^*, P^*) = \min_{(\epsilon_r, \mu_r) \in \mathcal{M}} J(\epsilon_r, \mu_r, P^*) = \max_{P \in \mathcal{P}} J(\epsilon_r^*, \mu_r^*, P),$$

then $((\epsilon_r^*, \mu_r^*), P^*)$ is a saddle point solution of the game. To investigate theoretical issues in such a context for our problems, one would proceed in a typical fashion by establishing certain regularity and compactness properties. First, one would establish continuity of the mapping on $\mathcal{M} \times I$ defined by $(\epsilon_r, \mu_r, f) \rightarrow B(\epsilon_r, \mu_r, f)$. For the function $B = B_R$ of (3.6) this continuity is readily obvious. For B_F of (3.5) one first argues continuity for each $\alpha \in A$ of $f \rightarrow F_\alpha(\alpha + 180^\circ; f)$ for the far field given by (3.4). But this reduces to arguing continuity of the solution $E^{(s)} = E^{(s)}(f)$ of the Helmholtz equation (2.1) which depends on α and f through the incident wave

$$E^{(i)}(f, \alpha) = \exp \{i(2\pi f/c)(x_1 \cos \alpha + x_2 \sin \alpha)\}$$

and boundary parameters (see (2.1) and recall $k = 2\pi f/c$). Since $(f, \alpha) \rightarrow E^{(i)}(f, \alpha)$ is clearly continuous, the arguments reduce to standard continuous dependence arguments for parameters in an elliptic partial differential equation which we do not pursue here.

Once one establishes the required continuity in f , one then turns to topologies on $\mathcal{M} \times \mathcal{P}$ and some type of compactness. The obvious topology for \mathcal{M} is the usual Euclidean one, in which typical sets \mathcal{M} (see (5.1) below) are readily compact. For $\mathcal{P}(I)$ a natural choice is the Prohorov metric topology as used for minimization/inverse problems in [2, 3, 7]. Prohorov metric convergence is *weak** convergence in \mathcal{P} when it is considered as a subset of the topological dual $C_B^*(I)$ of the space $C_B(I)$ of bounded continuous functions on I . That is, $P_k \rightarrow P$ in the Prohorov metric if and only if

$$\int_I \phi(\nu) dP_k(\nu) \rightarrow \int_I \phi(\nu) dP(\nu)$$

for all $\phi \in C_B(I)$, i.e., all bounded continuous ϕ on I . It is known [2, 3] that if I is a complete metric space, then \mathcal{P} taken with the Prohorov metric is a complete metric space. Moreover, if I is compact, then so is \mathcal{P} . Using these properties and arguments similar to those in [2, 4–7], one can develop well-posedness and approximation results for the minmax problems defined in this paper. We defer pursuit of such a theory to another effort and concentrate here on computational findings

5 Numerical results

5.1 Frequencies around 1.0 GHz

We begin by optimizing the material parameters for given frequency intervals I_D around 1.0 GHz which we shall refer to as evader's design frequency intervals. For these minimizations we use each the reflection coefficient based B_R and the far field pattern based B_F , respectively, as B in (3.9) with a given I_D . For the finite element based optimization the incident angles in (3.5) belong to the sector $A = [0, 30]^\circ$ with the constant weight $1/30$ for all directions (i.e., Q is chosen as the uniform distribution on $[0, 30]$).

Using a given pair $(\epsilon_r^{\max}, \mu_r^{\max})$ we define the set \mathcal{M} of feasible material parameters in (3.9) to be

$$\mathcal{M} = \{(\epsilon_r, \mu_r) \mid 1 \leq \operatorname{Re} \epsilon_r \leq \operatorname{Re} \epsilon_r^{\max}, 0 \leq \operatorname{Im} \epsilon_r \leq \operatorname{Im} \epsilon_r^{\max}, \\ 1 \leq \operatorname{Re} \mu_r \leq \operatorname{Re} \mu_r^{\max}, 0 \leq \operatorname{Im} \mu_r \leq \operatorname{Im} \mu_r^{\max}\}. \quad (5.1)$$

In Table 1 we report the results of these optimizations. In the optimizations of the materials denoted by 1R, 2R, 1F, and 2F the design frequency interval I_D is just the single frequency 1.0 GHz, i.e., $I_D = \{1\}$, while for the material 3R and 3F the interval is $I_D = [0.8, 1.25]$ GHz. For the materials 1R and 1F, only the relative permittivity ϵ_r is optimized, since the relative permeability μ_r is fixed at $1 + 0i$. For all optimizations given in Table 1, we have used $\epsilon_r^{\max} = 2000 + 400i$. In order to simplify notation, we denote

Table 1: Optimized coating materials 1R, 2R, 3R using the reflection coefficient R and 1F, 2F, 3F using the far field pattern F compared to the no coating case.

| material | I_D | μ_r^{\max} | ϵ_r^* | μ_r^* | $\max B_R^D$ | $\max B_F^D$ |
|----------|-------------|----------------|------------------|-----------|-----------------------|-----------------------|
| no | {1} | | $1 + 0i$ | $1 + 0i$ | 1.00×10^{-0} | $6.83 \times 10^{+1}$ |
| 1R | {1} | $1 + 0i$ | $900.4 + 38.2i$ | $1 + 0i$ | 1.03×10^{-4} | 1.94×10^{-0} |
| 2R | {1} | $10 + 2i$ | $90.7 + 21.4i$ | $10 + 2i$ | 4.26×10^{-5} | 1.01×10^{-2} |
| 3R | [0.8, 1.25] | $10 + 2i$ | $91.64 + 37.08i$ | $10 + 2i$ | 4.02×10^{-1} | $1.35 \times 10^{+1}$ |
| 1F | {1} | $1 + 0i$ | $887.7 + 39.5i$ | $1 + 0i$ | 1.62×10^{-1} | 3.87×10^{-2} |
| 2F | {1} | $10 + 2i$ | $90.89 + 22.0i$ | $10 + 2i$ | 7.84×10^{-3} | 5.78×10^{-3} |
| 3F | [0.8, 1.25] | $10 + 2i$ | $85.93 + 36.12i$ | $10 + 2i$ | 4.38×10^{-1} | $1.05 \times 10^{+1}$ |

$\max_{f \in I_D} B_R(\epsilon_r^*, \mu_r^*, f)$ and $\max_{f \in I_D} B_F(\epsilon_r^*, \mu_r^*, f)$ by $\max B_R^D$ and $\max B_F^D$, respectively, in the table.

The optimizations based on the reflection coefficient are performed by computing the values of $\tilde{B}_R(\epsilon_r, \mu_r) = \max_{f \in I_D} B_R(\epsilon_r, \mu_r, f)$ on a grid over the feasible material parameters \mathcal{M} and then choosing the point with the smallest value. For the optimizations of B_F based on the finite element model we use a quasi-Newton method with the BFGS update for the approximation of the Hessian [16] with forward finite difference approximations for gradients. As the initial guesses we used the corresponding optimal material parameters computed using B_R . On the boundaries of the feasible domain \mathcal{M} we projected the search direction to be feasible. The integral in (3.5) is approximated using the trapezoidal quadrature rule with one degree steps. We compute the maximum of B over I_D by taking the maximum of the value of B at the end points of I_D . For the coating layers and frequency ranges considered here, this gives the correct value for maximizing over all of I_D .

One evaluation of B_F requires about 10 minutes on a PC with Intel Xeon 3.4 GHz CPU and one optimization run takes a few days depending on the convergence of the quasi-Newton method. The use of the finite element model in the optimization is several orders of magnitude more time consuming than the use of the reflection coefficient R . For example, the optimization for the material 1R based on R using the grid step size 0.1 for \mathcal{M} requires about one minute.

Once we completed the calculations reported on in Table 1, we used the optimal values (ϵ_r^*, μ_r^*) to consider $B_R^*(f) = B_R(\epsilon_r^*, \mu_r^*, f)$ as the interrogating frequency changes over the interval [0.2, 1.6]. In Fig. 3(left) we plot the modulus of this reflection coefficient $B_R^*(f)$ versus the frequency for the optimized materials 1R, 2R, and 3R in Table 1. A similar figure for $B_F^*(f) = B_F(\epsilon_r^*, \mu_r^*, f)$ of (3.5) can be given (see Fig. 5 of [9]) for the same materials. However, in order to make the comparison easier we have plotted the ratio between B_F^* for the coated missiles and $B_F(1, 1, f)$ for the non coated missile in Fig. 3(right). We remark that in both figures the strength of the backscatter is plotted on a log scale so that the reduction of R from 1 to 0.1 represents a 10 decibel reduction,

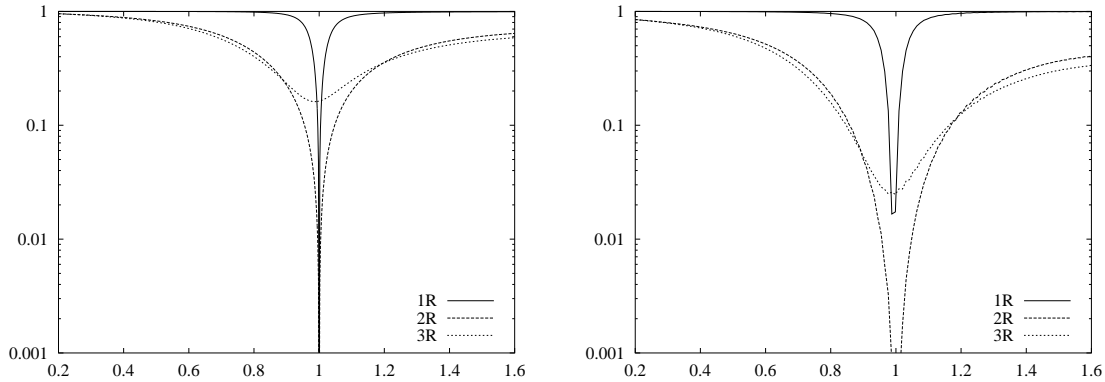


Figure 3: The relative strength of backscatter (left) B_R^* (right) $B_F(\epsilon_r^*, \mu_r^*, f)/B_F(1, 1, f)$ as a function of the interrogating frequency f for different coating layers.

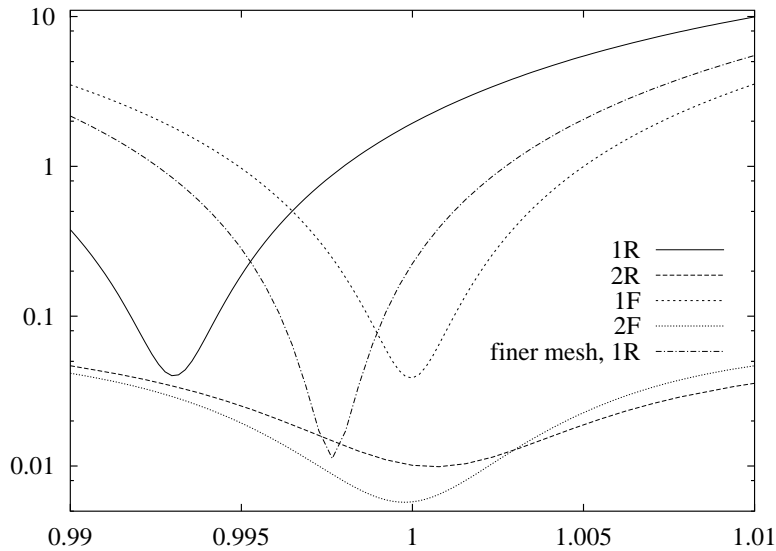


Figure 4: A magnified plot of B_F^* as a function of the interrogating frequency f for different coating layers.

reduction to 0.01 represents a 20 decibel reduction, etc. The behavior the curves are similar in Figs. 3(left) and 3(right). The B_R^* based reflection coefficient predicts stronger backscattering than does that based on the far field pattern B_F^* . Based on Fig. 3(right) for the material 1R the reduction in the backscattering is about 10 decibels for interrogating frequencies within $\pm 2\%$ of 1.0 GHz. For the material 2R the reduction is about 10 and 20 decibels for interrogating frequencies within $\pm 15\%$ and $\pm 5\%$, respectively, of 1.0 GHz. Thus, the ability to optimize also the permeability μ_r widens significantly the frequency range of effective reduction of backscattering.

If the evader has only optimized the relative permittivity ϵ_r for $I_D = \{1.0\}$ GHz then

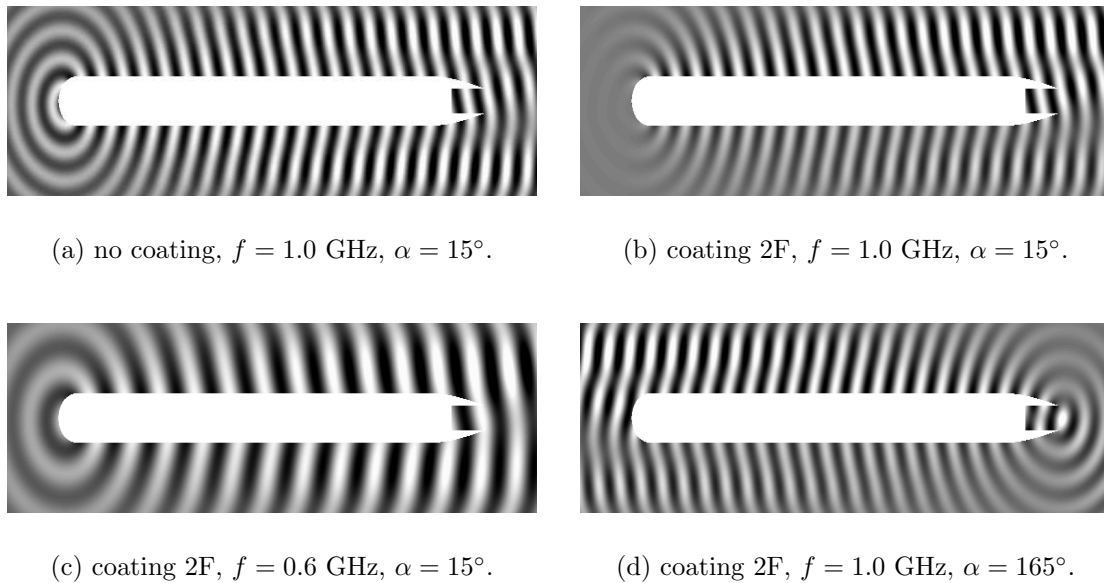


Figure 5: The backscattering compared for several interrogating frequencies, several angles of incident.

the interrogator only needs to use frequencies, say, more than 10% off from 1.0 GHz to obtain strong backscattering from the missile. The interrogator must vary the radar frequency from 1.0 GHz significantly more when the evader has tuned both permittivity and permeability of the coating material. Thus, a dual frequency radar using, for example, interrogating frequencies 0.4 and 1.4 GHz should be able to detect missiles with any of the optimized coating layers for $I_D = \{1.0\}$ GHz.

In order to see more clearly the behavior of B_F^* near the minima the curves for the materials 1R and 2R are shown in Fig. 4 with an enlarged scale. We have also plotted B_F^* for the materials 1F and 2F in this figure. The minimum for the material 1R is reached about 0.7% below 1.0 GHz. A question arises is this due to the finite element discretization error or for some reason. To answer this we refined the finite element mesh by halving mesh step size and then we again computed the values of B_F^* for the material 1R. The resulting curve is also shown in Fig. 4. For this refined computation the minimum is about 0.2% below 1.0 GHz. This convergence with refinement toward 1.0 GHz suggests that the perceived difference is mainly due to the finite element discretization error. Hence, for these particular backscattering problems the plane wave analysis gives a very accurate prediction of the frequency range leading to the minimal backscattering.

We have depicted scattered electric fields $E^{(s)}$ with the angle of incidence 15° for the non coated missile and the missile with the 2F coating in Figs. 5(a) and (b), respectively. While the coated missile still produces strong scattering, the backscattering to the radar seems to be minute. This situation is changed when the interrogating frequency is moved further from the design frequency (i.e., $I_D = \{1\}$) or when the radar is behind the coated missile. The scattered fields for two such cases are shown in Fig. 5(c) for interrogating

Table 2: Optimized coating materials 4R, 5R, 6R using the reflection coefficient R compared to no coating results.

| material | I_D | μ_r^{\max} | ϵ_r^* | μ_r^* | $\max B_R^D$ | $\max B_F^D$ |
|----------|-------------|----------------|------------------|-------------|-----------------------|-----------------------|
| no | {0.4} | | $1 + 0i$ | $1 + 0i$ | 1.00×10^{-0} | $2.95 \times 10^{+1}$ |
| 4R | {0.4} | $1 + 0i$ | $5625.4 + 95.5i$ | $1 + 0i$ | 5.13×10^{-5} | 4.03×10^{-0} |
| 5R | {0.4} | $10 + 2i$ | $558.6 + 29.3i$ | $10 + 1.2i$ | 8.84×10^{-5} | 1.43×10^{-2} |
| 6R | [0.32, 0.5] | $10 + 2i$ | $549.3 + 150.0i$ | $10 + 2i$ | 6.69×10^{-1} | $1.65 \times 10^{+1}$ |

frequency $f = 0.6$ GHz. and in Fig. 5(d) with the incident angle 165° . To further understand the scattering calculations, we have plotted the radar cross sections for the missiles with the coating layers made of the materials 1R, 2R, 1F, and 2F as well as for the non coated missile in Figs. 6 and 7. We remark that in the design we used B_F which is based on the incident angles between 0° and 30° (i.e., (3.5) with $A = [0, 30]$ and Q the uniform distribution on this support region) while the RCS captures reflections in all directions. The plots show very clearly that the material 1F reduces the RCS in the sector of interest tens of decibels more effectively than the material 1R. As we already concluded earlier, this is probably due to some extent to the finite element discretization error.

5.2 Frequencies around 0.4 GHz

In this section we report on results when one optimizes the material parameters for evader's design frequencies I_D around 0.4 GHz using the reflection coefficient based B_R . For lower frequencies like 0.4 GHz one might expect the plane analysis to yield slightly less accurate predictions, since less detail is clearly imaged with decreasing frequency and increasing wavelength. For these optimizations the set \mathcal{M} of feasible material parameters is given by (5.1) with $\epsilon_r^{\max} = 10000 + 2000i$. The results are reported in Table 2. We remark that the slightly higher value of $\max B_R^D$ for the material 5R than for the material 4R is due to the rounding of the material parameters.

In Fig. 8 (left) we graph the values of $B_R^*(f) = B_R(\epsilon_r^*, \mu_r^*, f)$ as a function of the interrogating frequency f for the missiles coated with the materials 4R, 5R, and 6R defined in Table 2. For the same missiles the values of B_F^* are plotted in Fig. 15 of [9]. In order to facilitate comparison of B_R^* and B_F^* we again plot the ratio of B_F^* for the coated missiles to $B_F(1, 1, f)$ for the non coated missile in Fig. 8 (right). Again the modulus of the reflection coefficient R has similar behavior but slightly larger values than the relative value $B_F(\epsilon_r^*, \mu_r^*, f)/B_F(1, 1, f)$. One noticeable difference is the slight shift of the location of the secondary reduction of reflection around $f = 1.2$ GHz. We presume this to be due to the finite element discretization error.

From Fig. 8(right) we see that for the material 4R the reduction in the backscattering is about 10 decibels for interrogating frequencies within $\pm 1\%$ of 0.4 GHz. For the material 5R the reduction is about 10 and 20 decibels for interrogating frequencies within $\pm 6\%$ and

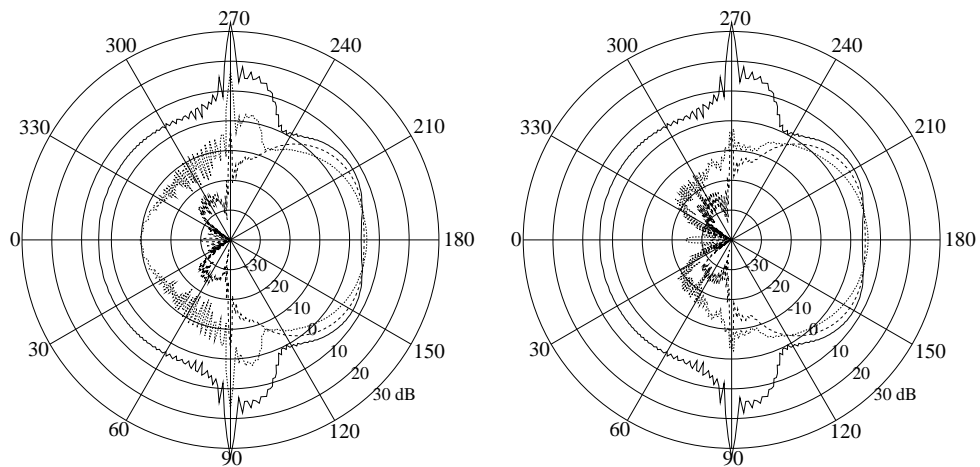


Figure 6: The radar cross sections at 1.0 GHz for no coating, 1R, 2R (left) and no coating, 1F, 2F (right) (lines: solid, dotted, dashed, respectively).

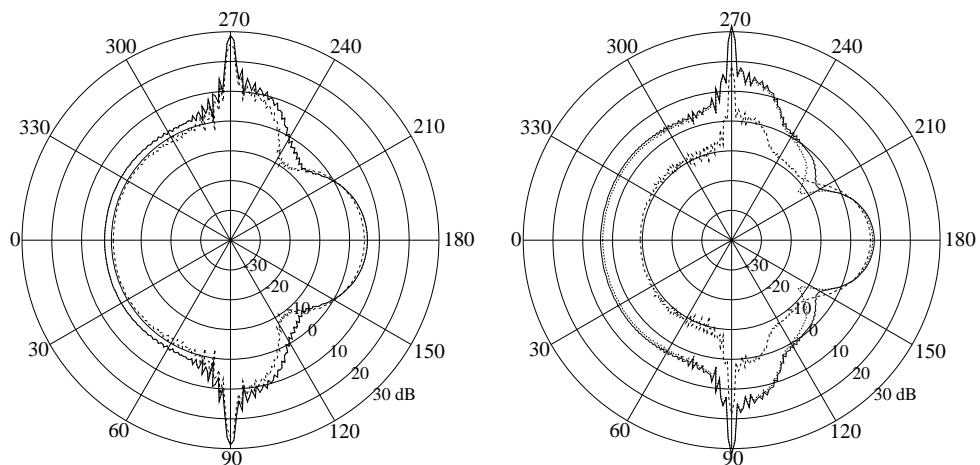


Figure 7: The radar cross sections at 0.6 GHz (left) and 0.9 GHz (right) for no coating, 1F and 2F materials (lines: solid, dotted and dashed, respectively).

$\pm 2\%$, respectively, of 0.4 GHz. The interrogator only needs to change the interrogating frequency about 10% from 0.4 GHz to render ineffective the coating layer of evader's missile made of the material 4R or 5R. Thus, we find that the frequency range of high absorption is narrower for the materials optimized for $I_D = \{0.4\}$ GHz than for those optimized with $I_D = \{1.0\}$ GHz. Again a dual frequency radar using, for example, interrogating frequencies of 0.4 and 1.4 GHz should be able to detect missiles with any of the optimized coating layers with $I_D = \{0.4\}$ GHz even though one of the operating frequencies was used to design the coating.

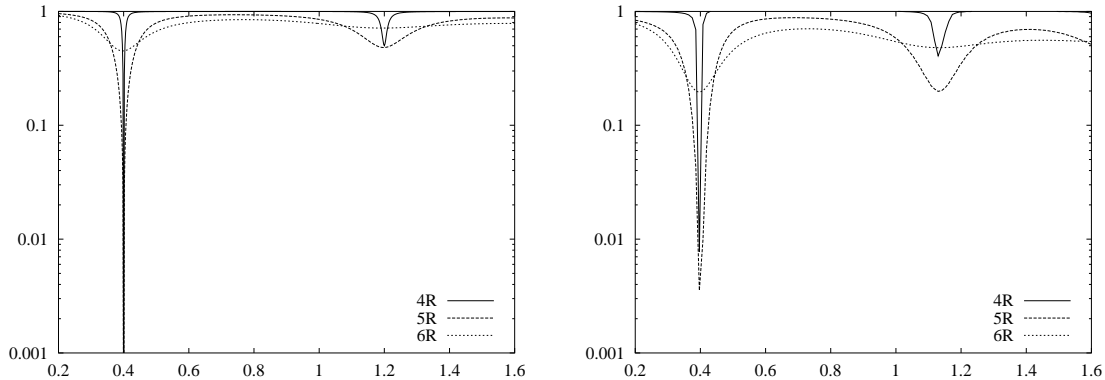


Figure 8: The strength of relative backscatter B_R^* (left) and $B_F(\epsilon_r^*, \mu_r^*, f)/B_F(1, 1, f)$ (right) as a function of interrogating frequency f for different coating layers.

Fig. 9 depicts the RCS for the non coated missile and the missiles with the coating layer made of the materials 4R and 5R. The use of the material 5R obtained by optimizing both permittivity and permeability leads to approximately 30 dB reduction in the sector of interest $[0, 30]^\circ$. The use of the permittivity ϵ_r optimized material 4R leads to only about 10 dB reduction in the considered sector. The frequency range of high absorption is narrow for the material 4R. Finite element discretization error is probably shifting the location of maximum absorption about 1% (similar to the behavior of the curve for the material 1R in Fig. 4). Thus, the modest reduction in the RCS is probably due to this.

5.3 Permittivity optimizations using a simplified geometry

In this section we consider the optimization of the relative permittivity ϵ_r with the fixed relative permeability $\mu_r = 1$ using a simplified geometry for the cruise missile. More precisely, we replace the cavity modeling the exhaust nozzle by a plane which is also coated. The simplified geometry can be seen by comparing Figs. 5 and 11. The values of B_F in the angle range $[0, 30]^\circ$ for all interrogating frequencies in the range $[0.2, 1.6]$ GHz differ from those for the original geometry in Fig. 1 and those for the simplified one without a coating layer by less than 0.2%. Thus, the curves corresponding to the non coated missiles in Fig. 5 of [9] and Fig. 10 (left) below are essentially the same. We conclude that at least with a non coated missile it is not essential to model the exhaust nozzle when the incident angles are in the range $[0, 30]^\circ$.

In the following we choose evader's design frequencies I_D to be either $\{0.8\}$, $\{1.2\}$, or $\{1.6\}$ GHz and the evader performs the optimization using the reflection coefficient based B_R resulting in values of $\epsilon_r^* = 1407 + 48i$, $625 + 32i$, or $352 + 24i$, respectively. These optimal relative permittivities at the design frequencies are given in Table 3 along with the values of $B_F(\epsilon_r, 1, f)$ based on the far field pattern F for the interrogating frequencies $f = 0.2, 0.4, \dots, 1.6$ GHz. Fig. 10 (left) depicts the values of B_F^* in this interrogating frequency range from 0.2 GHz to 1.6 GHz. For a comparison we have also plotted the corresponding

Table 3: The strength of backscatter $B_F(\epsilon_r, 1, f)$ based on the far field pattern F for various coating materials and frequencies.

| $\epsilon_r \setminus f$ | 0.2 | 0.4 | 0.6 | 0.8 | 1.0 | 1.2 | 1.4 | 1.6 |
|--------------------------|------|------|------|------|------|------|------|-------|
| 1 | 15.9 | 29.5 | 42.7 | 56.0 | 68.3 | 82.8 | 94.6 | 108.7 |
| $1407 + 48i$ | 15.9 | 29.4 | 41.9 | 2.4 | 67.7 | 83.0 | 94.7 | 108.8 |
| $625 + 32i$ | 15.9 | 29.4 | 42.5 | 55.2 | 62.8 | 1.6 | 86.2 | 106.0 |
| $352 + 24i$ | 15.9 | 29.5 | 42.6 | 55.7 | 67.1 | 78.6 | 74.4 | 1.4 |

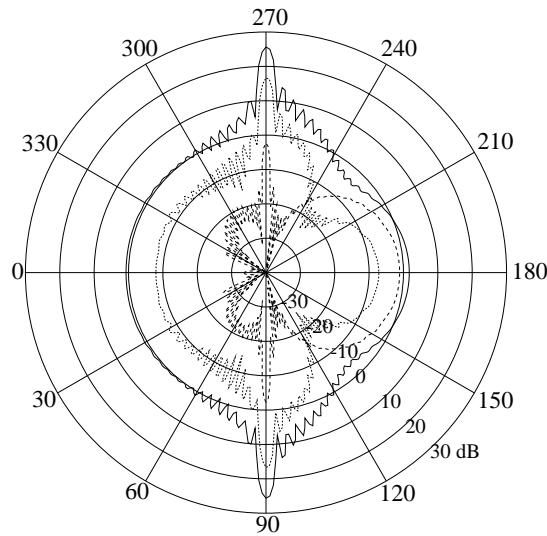


Figure 9: The radar cross sections at 0.4 GHz for no coating, 4R, 5R (line: solid, dotted, dashed, respectively).

B_R^* in Fig. 10 (right). Again the reflection coefficient R gives a good prediction for the behavior of B_F^* .

Scattered electromagnetic fields for various frequencies are shown in Figs. 11, 12, 14, and 16 when the incident angle α is 15° . The corresponding radar cross sections are shown in Figs. 13, 15, and 17. For the coated missiles we have also depicted the radar cross sections when the frequency is 0.1 GHz below the design frequency. These plots demonstrate clearly that even a 0.1 GHz change in frequency makes the coating layers ineffective when only the relative permittivity is tuned to maximize the absorption at the design frequencies. Thus, one can conclude that for the coating layers considered here, a practical solution for the interrogator is to employ an interrogating frequency about 10% from the design frequency for the evader coating. An alternative approach for the interrogator is to use a dual frequency radar.

From Fig. 10 it can be seen that $B_F^*(f)$ attains its minimum value about from 0.5% to 1% below the design frequency. This is again probably due to the finite element dis-

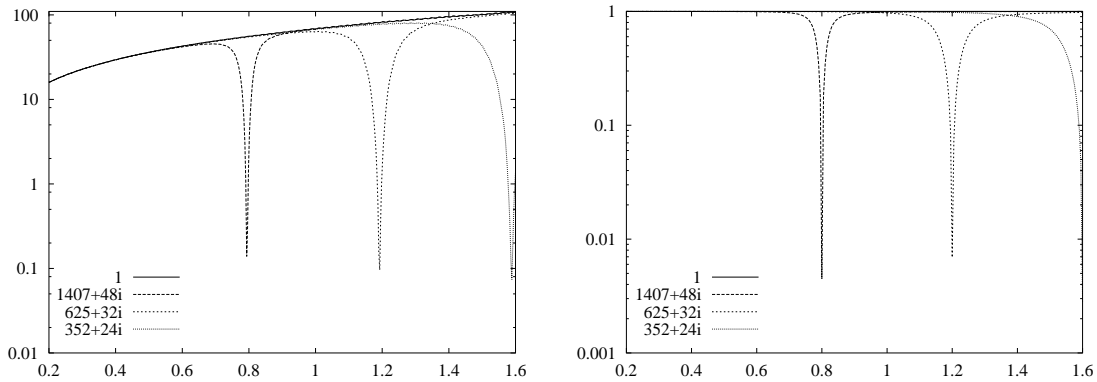


Figure 10: The strength of backscatter as a function of the interrogating frequency f for B_F^* (left) based on the far field pattern F and for B_R^* (right) based on the reflection coefficient R for different coating layers.

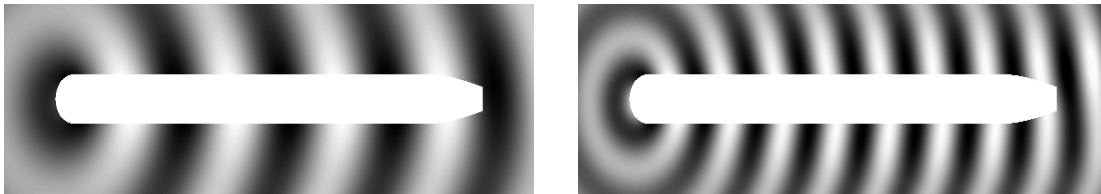


Figure 11: No coating, $\alpha = 15^\circ$, for interrogating frequency (left) $f = 0.2$ GHz and (right) $f = 0.4$ GHz.

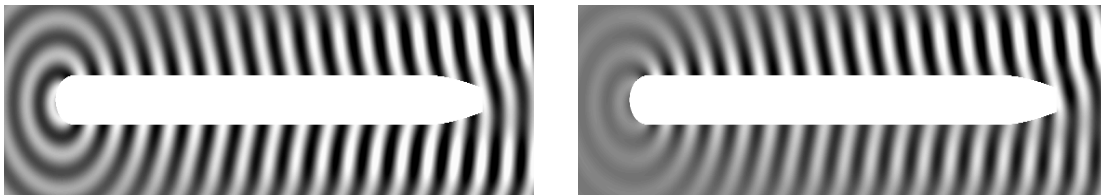


Figure 12: Interrogating frequency $f = 0.8$ GHz, and $\alpha = 15^\circ$: (left) No coating, (right) Coating with $\epsilon_r^* = 1407 + 48i$.

cretization error. As the last experiment we minimized B_F instead of B_R with respect to the relative permittivity ϵ_r for evader's design frequency $I_D = \{1.6\}$ GHz. The optimal value is approximately $\epsilon_r^* = 346.759 + 24.692i$ and the associated value of B_F^D is about 0.096. Thus, the strength of the backscattering is over 10 decibels smaller than for $\epsilon_r = 352 + 24i$. In Fig. 16 (bottom) we show the scattered field for the optimized coating layer. The corresponding radar cross sections are plotted in Fig. 17 (bottom).

6 Conclusions

We have considered the electromagnetic backscattering by the crosscut of a perfectly conducting cruise missile which is coated by a homogeneous electromagnetic absorbent

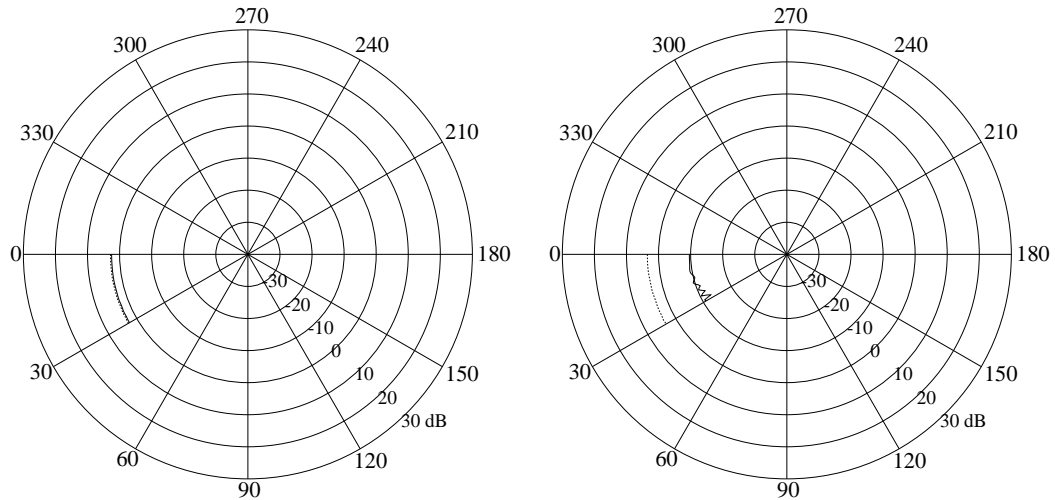


Figure 13: RCS at interrogating frequencies $f = 0.7$ GHz (left) and $f = 0.8$ GHz (right) for coating with $\epsilon_r^* = 1407 + 48i$ (solid line) and no coating (dotted line).

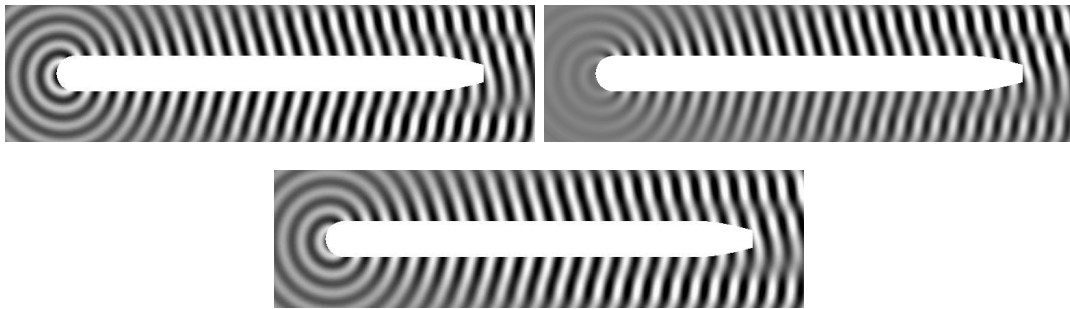


Figure 14: Interrogating frequency $f = 1.2$ GHz and $\alpha = 15^\circ$: (top left) No coating and (top right) Coating with $\epsilon_r^* = 625 + 32i$ compared with (bottom) Same coating, but interrogating frequency $f = 1.1$ GHz.

material coating of constant thickness. If the evader uses only the relative permittivity ϵ_r of the coating material to reduce the backscattering, then the interrogator can render the coating ineffective by changing the interrogating frequency of the radar by, say, 10 % from evader's design frequency. The evader can make the range of high absorbent frequencies wider by tuning both relative permittivity and magnetic permeability of the coating material. Even with such a coating layer it is not possible to substantially reduce the radar cross section for both high and low frequencies at the same time. Thus, the interrogator should be able to detect the cruise missile by using a dual frequency radar, operating for example at interrogating frequencies $f = 0.4$ and $f = 1.4$ GHz for the coatings in our calculations. For more complex coating layers, say, employing nonlinear materials and multilayering, this conclusion might not be valid.

We also make a useful observation that the reflection coefficient based on a planar

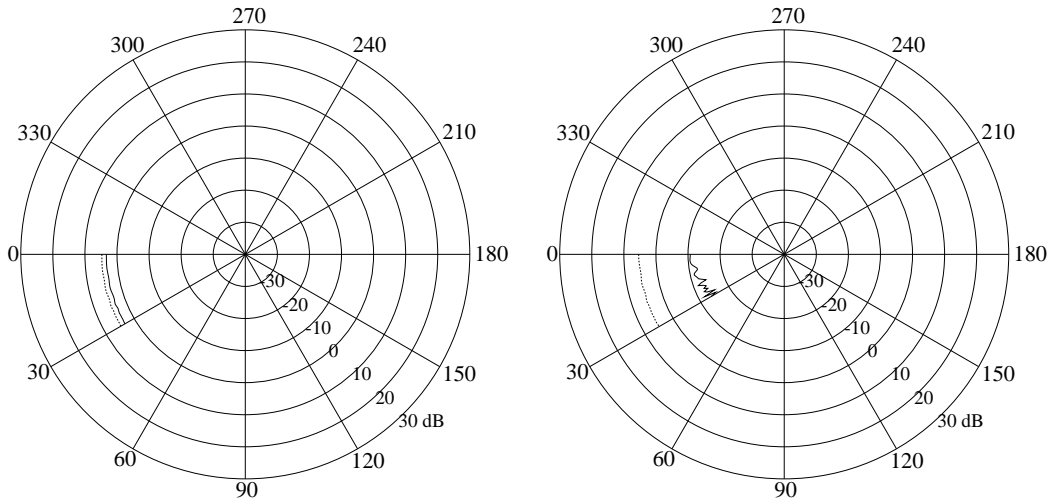


Figure 15: RCS at interrogating frequencies $f = 1.1$ GHz (left) and $f = 1.2$ GHz (right) for coating with $\epsilon_r^* = 625 + 32i$ (solid line) and no coating (dotted line).

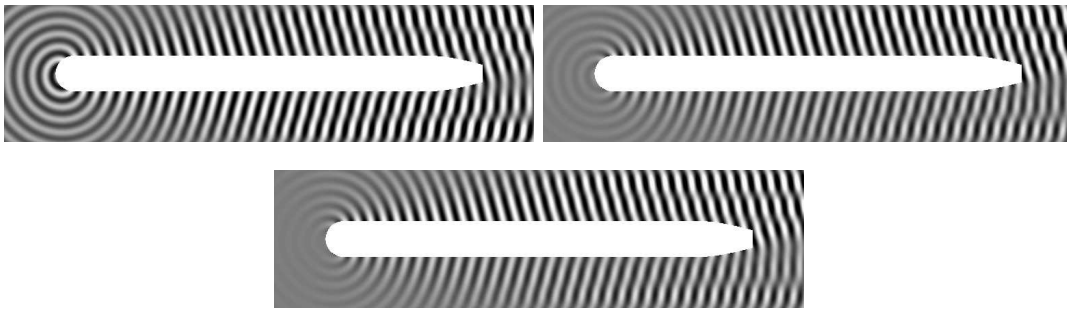


Figure 16: Interrogating frequency $f = 1.6$ GHz, and $\alpha = 15^\circ$: (top left) No coating (top right) Coating with $\epsilon_r^* = 352 + 24i$ (bottom) Coating with $\epsilon_r^* = 346.759107 + 24.6916716i$

geometry gives a fairly accurate and easily computable upper limit for the backscattering for the considered scattering problems. Hence, the interrogator can use the reflection coefficient to quickly and easily determine effective radar operating frequencies once there is sufficient information on the evader's coating layer. The finite element model provides a more reliable but also computationally much more expensive way to analyze the backscattering. Due to the discretization error our finite element model with more than a quarter million unknowns appears to lead to up to 1% error in the frequency minimizing the backscattering. We were able to reduce this error by refining the discretization, but then the computational cost with the refined model is already too high for optimizations in a modern PC.

In further studies one could consider more complicated coating layers and three-dimensional geometries. For example, the coating material could be nonlinear leading

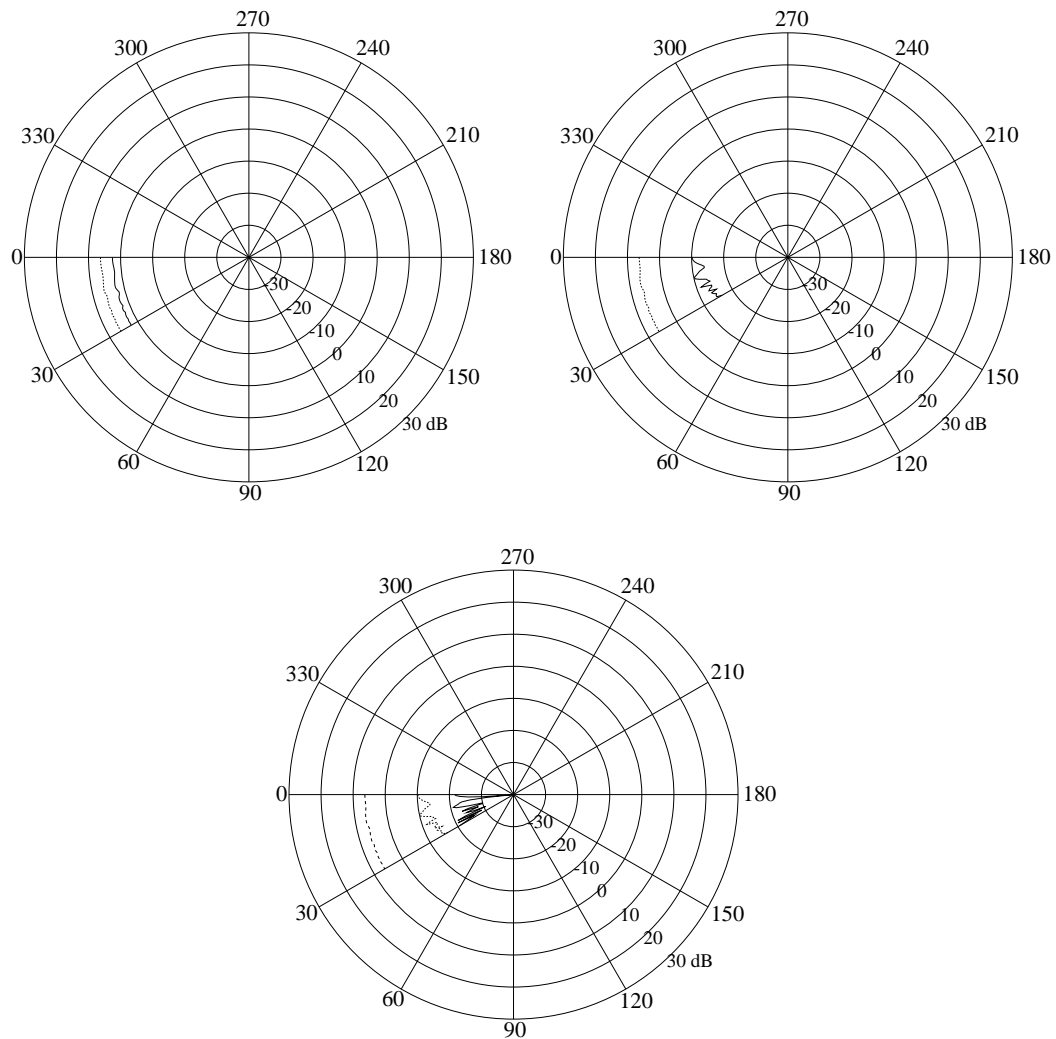


Figure 17: (top) RCS at interrogating frequencies $f = 1.5$ GHz (left) and $f = 1.6$ GHz (right) for coating with $\epsilon_r^* = 352 + 24i$ (solid line) and no coating (dotted line); (bottom) interrogating frequency $f = 1.6$ GHz for coating with $\epsilon_r^* = 346.759107 + 24.6916716i$ (solid line), $\epsilon_r^* = 352 + 24i$ (dotted line), and no coating (dashed line).

to the permittivity and permeability properties being frequency dependent. The cruise missile we investigated is a body of revolution (BOR) and, thus, for example, the method proposed in [17] could be used to compute the three-dimensional electromagnetic backscattering. Including fins in the model would lead to a general three-dimensional problem which would require a computational methodology such as the finite elements methods considered in [25].

Acknowledgments

This research was supported in part by the U.S. Air Force Offices of Scientific Research under grant AFOSR FA9550-04-1-0220. The authors would like to thank Dr. Richard Albanese of the AFRL, Brooks AFB, San Antonio TX, for numerous stimulating and valuable comments and suggestions on this work.

References

- [1] A. Bamberger, P. Joly and J. E. Roberts, Second-order absorbing boundary conditions for the wave equation: a solution for the corner problem, *SIAM J. Numer. Anal.*, 27 (1990), 323–352.
- [2] H. T. Banks and K. L. Bihari, Modeling and estimating uncertainty in parameter estimation, *Inverse Probl.*, 17 (2001), 95–111.
- [3] H. T. Banks, D. Bortz, G. A. Pinter and L. K. Potter, Modeling and imaging techniques with potential for application in bioterrorism, Chapter 6 in: *Bioterrorism: Mathematical Modeling Applications in Homeland Security*, H. T. Banks and C. Castillo-Chavez (Eds.), *Frontiers in Applied Mathematics*, SIAM, Philadelphia, 2003, pp. 129–154.
- [4] H. T. Banks and N. L. Gibson, Well-posedness of solutions with a distribution of dielectric parameters, *Appl. Math. Lett.*, 18 (2005), 423–430.
- [5] H. T. Banks and N. L. Gibson, Electromagnetic inverse problems involving distributions of dielectric mechanisms and parameters, Tech. Report CRSC-TR05-29, Center for Research in Scientific Computation, North Carolina State University, Raleigh, NC, August, 2005.
- [6] H. T. Banks and K. Kunisch, *Estimation Techniques for Distributed Parameter Systems*, Birkhauser, Boston, 1989.
- [7] H. T. Banks and G. A. Pinter, A probabilistic multiscale approach to hysteresis in shear wave propagation in biotissue, *SIAM J. Multiscale Model. Simulation*, 3 (2005), 395–412
- [8] H. T. Banks, K. Ito, G. M. Kepler and J. A. Toivanen, Material surface design to counter electromagnetic interrogation of targets, Tech. Report CRSC-TR04-37, Center for Research in Scientific Computation, North Carolina State University, Raleigh, NC, November, 2004; *SIAM J. Appl. Math.*, in press.
- [9] H. T. Banks, K. Ito and J. A. Toivanen, Determination of interrogating frequencies to maximize electromagnetic backscatter from objects with material coatings, Tech. Report CRSC-TR05-30, Center for Research in Scientific Computation, North Carolina State University, Raleigh, NC, August, 2005.
- [10] F. J. Baron and O. Pironneau, Multidisciplinary optimal design of a wing profile, in: J. Herskovits (Ed.), *Structural Optimization 93*, The World Congress on Optimal Design of Structural Systems, vol. II, 1993, pp. 61–68.
- [11] T. Basar and G. J. Olsder, *Dynamic Noncooperative Game Theory*, second ed., SIAM, Philadelphia, PA, 1999.
- [12] A. Bondeson, Y. Yang and P. Weinerfelt, Optimization of radar cross sections by a gradient method, *IEEE Trans. Magn.*, 40 (2004), 1260–1263.
- [13] A. Bondeson, Y. Yang and P. Weinerfelt, Shape optimization for radar cross sections by a gradient method, *Int. J. Numer. Meth. Engrg.*, 61 (2004), 687–715.
- [14] M. Brain, How cruise missiles work, <http://science.howstuffworks.com/cruise-missile2.htm>, 2005.

- [15] D. Colton and R. Kress, *Inverse Acoustic and Electromagnetic Scattering Theory*, second ed., Applied Mathematical Sciences, vol. 93, Springer-Verlag, Berlin, 1998.
- [16] P. E. Gill, W. Murray and M. H. Wright, *Practical Optimization*, Academic Press Inc., London, 1981.
- [17] A. D. Greenwood and J. M. Jin, A novel efficient algorithm for scattering from a complex BOR using vector FEM and cylindrical PML, *IEEE Trans. Antenn. Propag.*, 47 (1999), 620–629.
- [18] T. Halleröd, D. Ericsson and A. Bondeson, Shape and material optimization using gradient methods and the adjoint problem in time and frequency domain, *COMPEL*, 24 (2005), 882–892.
- [19] E. Heikkola, Y. A. Kuznetsov, P. Neittaanmäki and J. Toivanen, Fictitious domain methods for the numerical solution of two-dimensional scattering problems, *J. Comput. Phys.*, 145 (1998), 89–109.
- [20] E. Heikkola, T. Rossi and J. Toivanen, A domain decomposition technique for two-dimensional scattering problems with coated obstacles, in: J. Périaux, P. Joly, O. Pironneau and E. Oñate, (Eds.), *Innovative Tools for Scientific Computation in Aeronautical Engineering*, CIMNE, 2001, pp. 183–194.
- [21] E. Heikkola, T. Rossi and J. Toivanen, Fast direct solution of the Helmholtz equation with a perfectly matched layer or an absorbing boundary condition, *Int. J. Numer. Meth. Engrg.*, 57 (2003), 2007–2025.
- [22] J. D. Jackson, *Classical Electrodynamics*, Wiley & Sons, New York, 1975.
- [23] R. A. E. Mäkinen, J. Périaux., and J. Toivanen, Multidisciplinary shape optimization in aerodynamics and electromagnetics using genetic algorithms, *Int. J. Numer. Meth. Fluids*, 30 (1999), 149–159.
- [24] R. A. E. Mäkinen and J. Toivanen, Optimal shape design for Helmholtz/potential flow problem using fictitious domain method, in: *Proceedings of the 5th AIAA/USAF/NASA/ISSMO Symposium on Multidisciplinary Analysis and Optimization*, vol. II, 1994, pp. 529–536.
- [25] P. Monk, *Finite Element Methods for Maxwell's Equations*, Numerical Mathematics and Scientific Computation, Oxford University Press, New York, 2003.